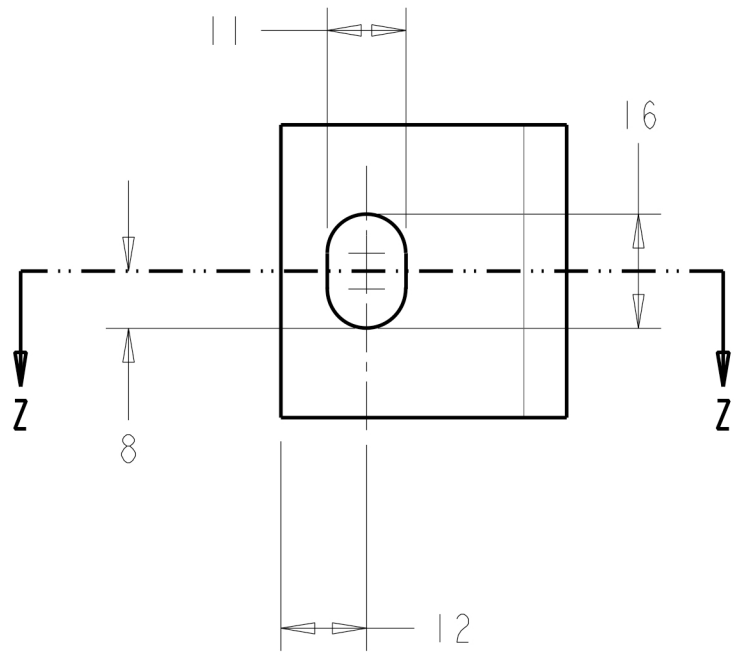
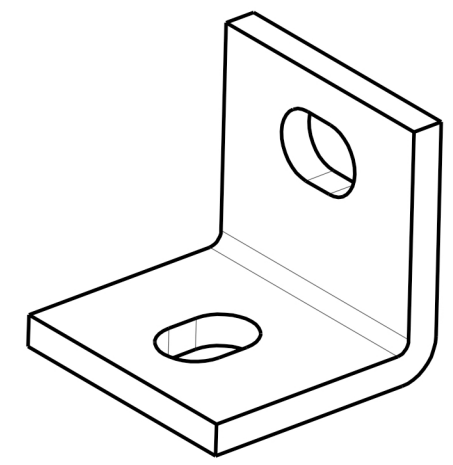
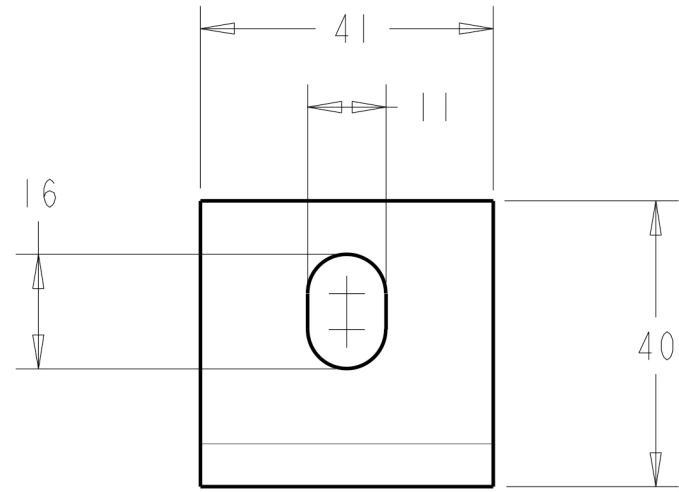


SECTION Z-Z



NOTES

1. MATERIAL : STEEL
2. TREATMENT : ZINC PLATE, GALVANISED