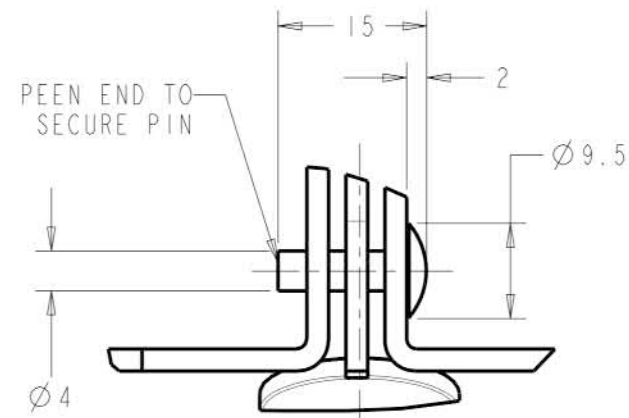
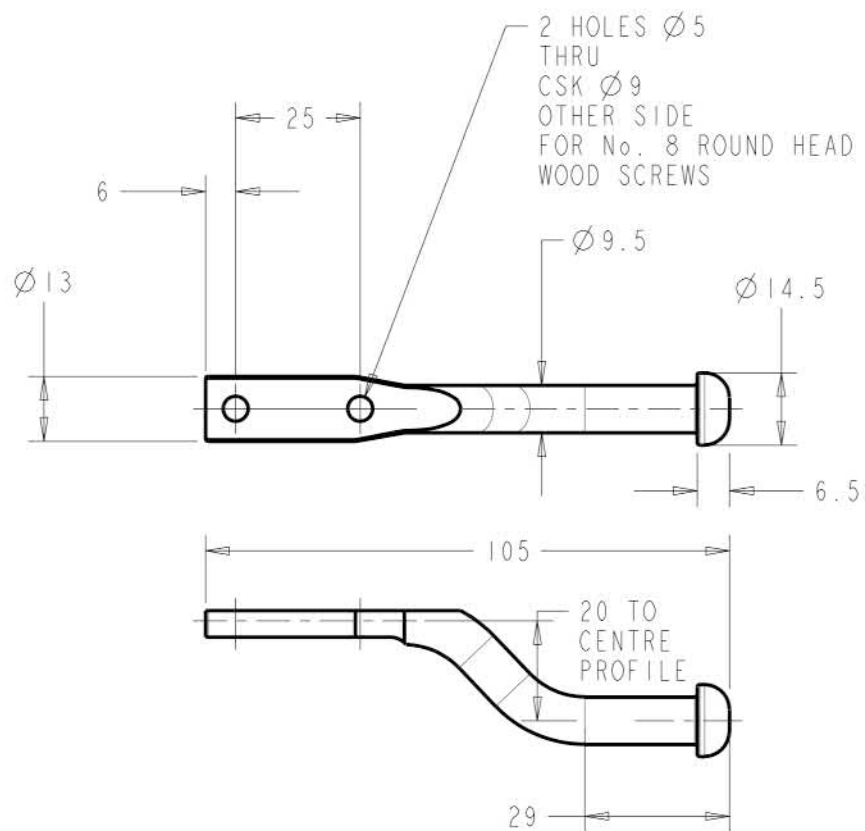
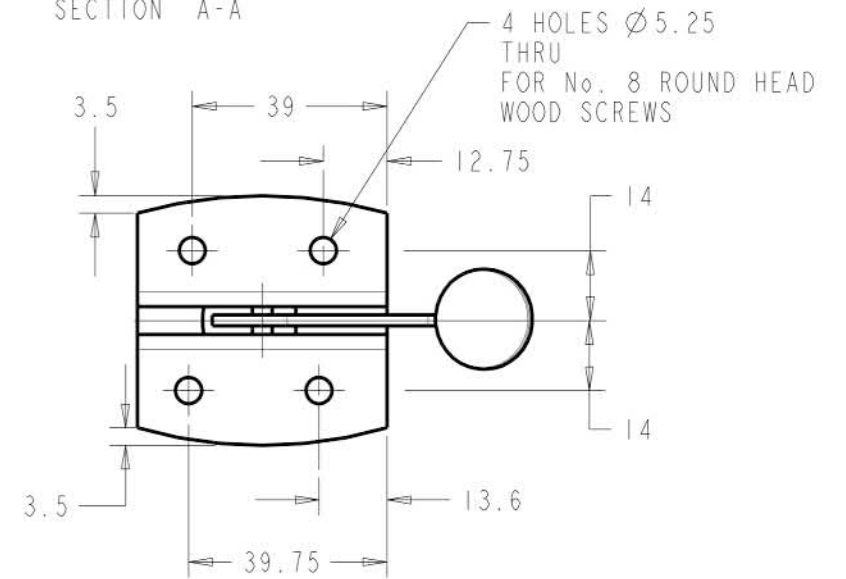


SECTION A-A



DETAIL Z
SCALE 2.000



NOTES

1. MATERIAL : LOCK - STEEL HASP STEEL
2. TREATMENT ZINC PLATE, GALVANISED POWDER COAT BLACK