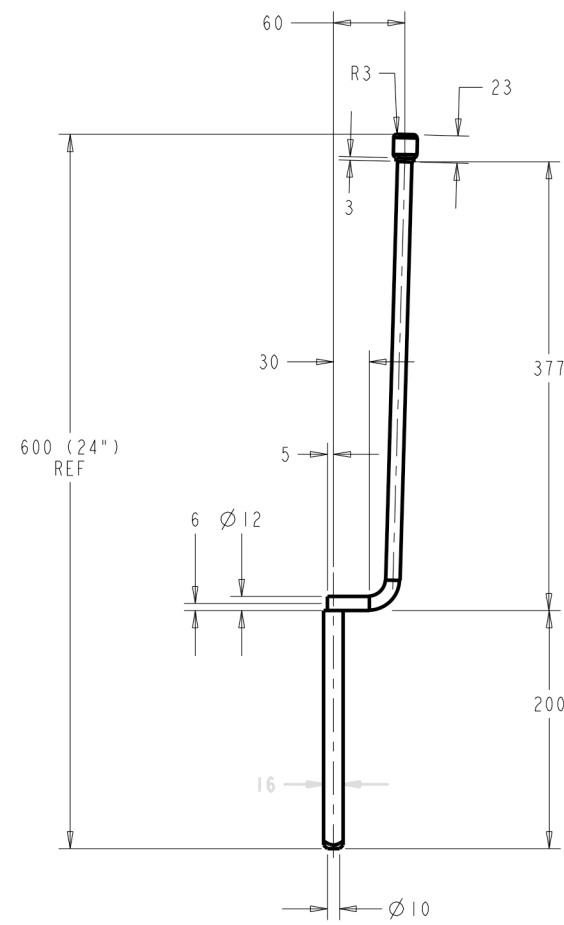
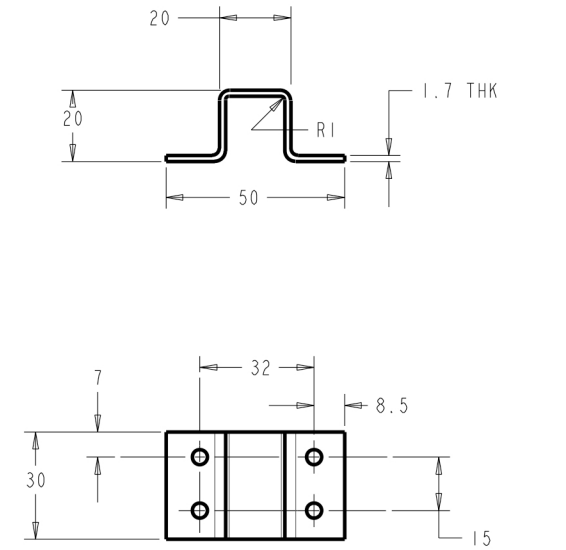
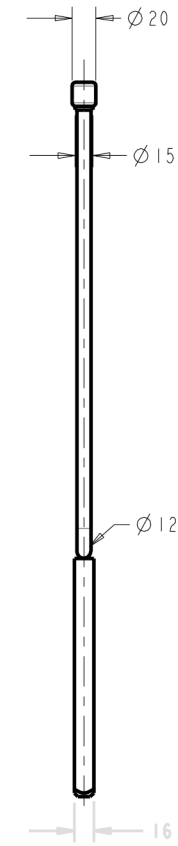


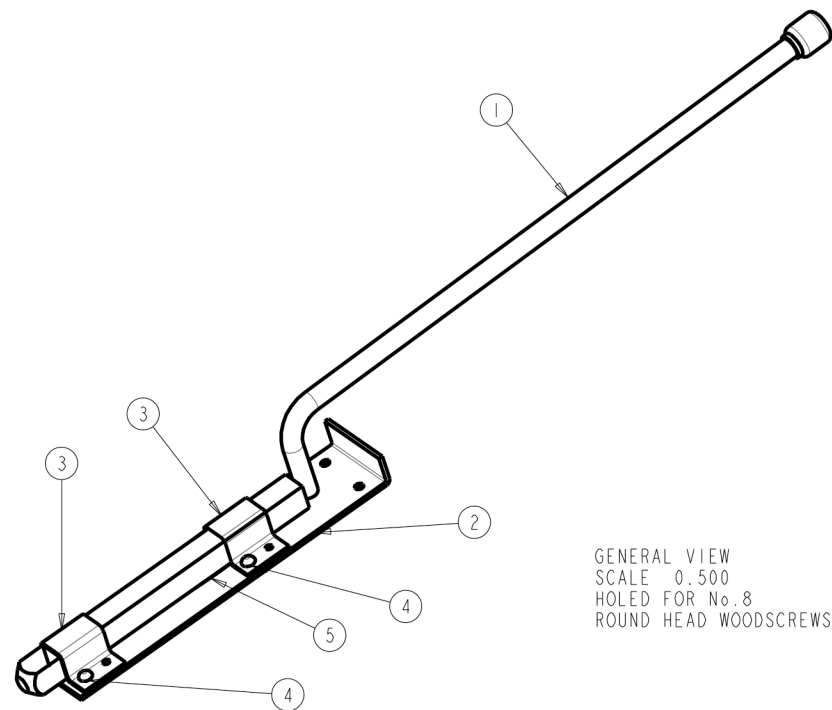
ITEM 2
BASEPLATE
MATERIAL : MILD STEEL
TREATMENT : GALVANISED, BLACK POWDER COAT
SCALE 1:1



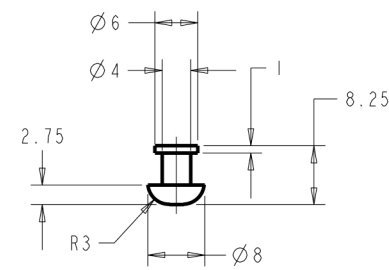
ITEM 1
BOLT
MATERIAL : MILD STEEL
TREATMENT : ZINC PLATE, GALVANISED
SCALE 1:1



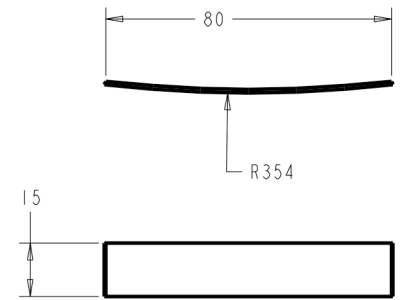
ITEM 3
U-BRACKET
MATERIAL : MILD STEEL
TREATMENT : GALVANISED, BLACK POWDER COAT
SCALE 1:1



GENERAL VIEW
SCALE 0.500
HOLED FOR No. 8
ROUND HEAD WOODSCREWS



ITEM 4
RIVET
MATERIAL: MILD STEEL
TREATMENT : ZINC PLATE, GALVANISED
SCALE 2.000



ITEM 5
SPRING
MATERIAL : SPRING STEEL 1mm THK
SCALE 1:1