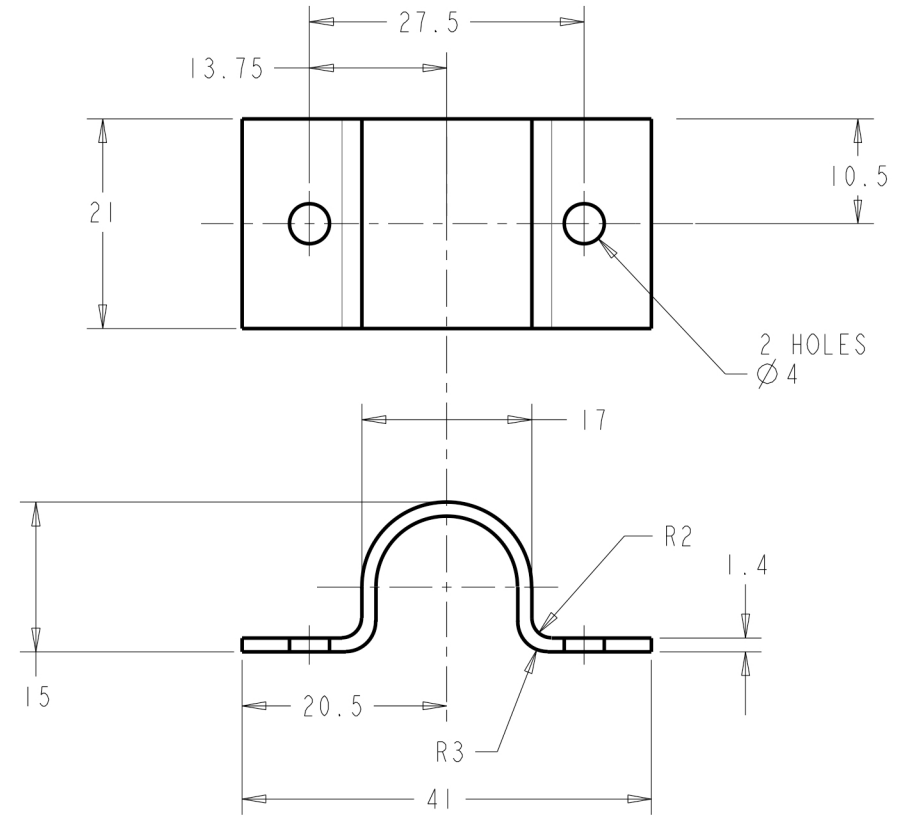
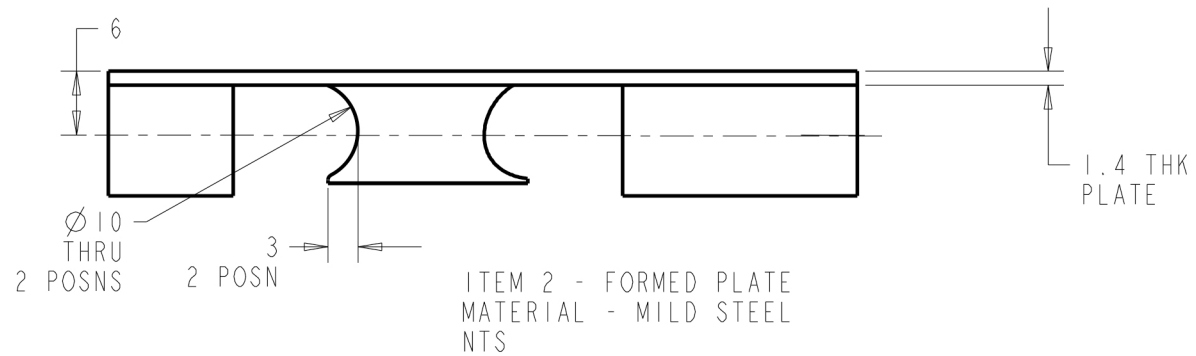
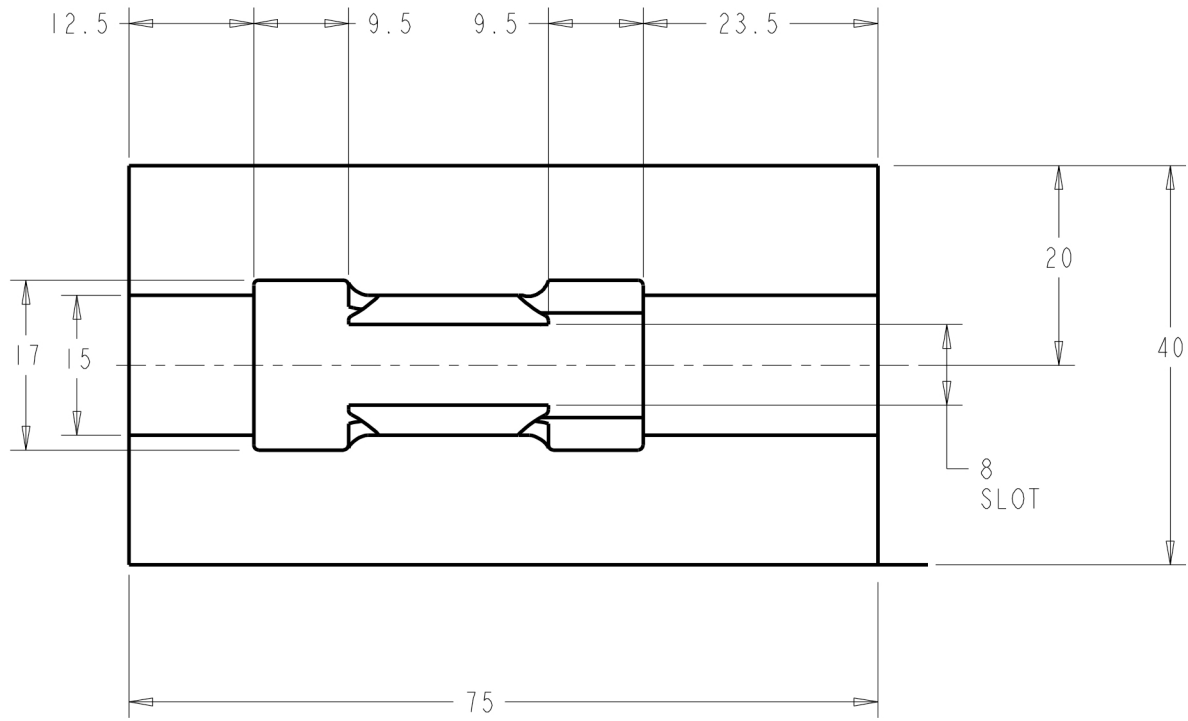


ITEM 1 BOLT NTS
 MATERIAL - MILD STEEL
 TREATMENT - ZINC PLATE, BLACK GALVANISED



ITEM 4 - HASP
 MATERIAL - MILD STEEL
 NTS



ITEM 2 - FORMED PLATE
 MATERIAL - MILD STEEL
 NTS



ITEM 3 - BASE PLATE
 MATERIAL - MILD STEEL
 NTS