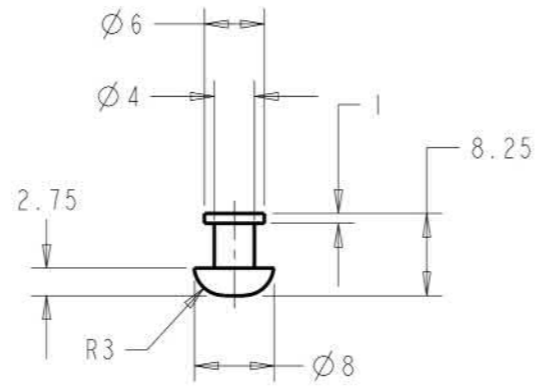
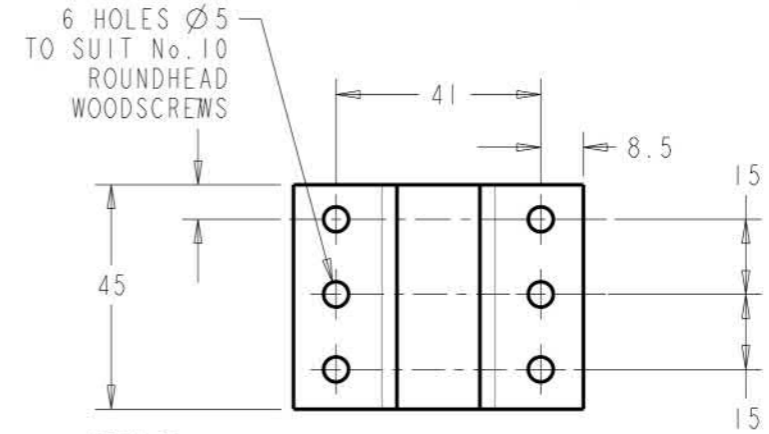
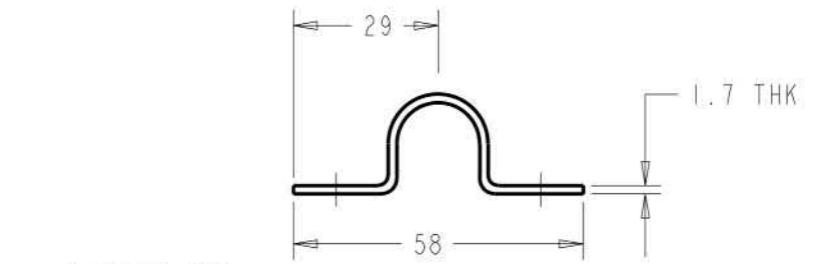


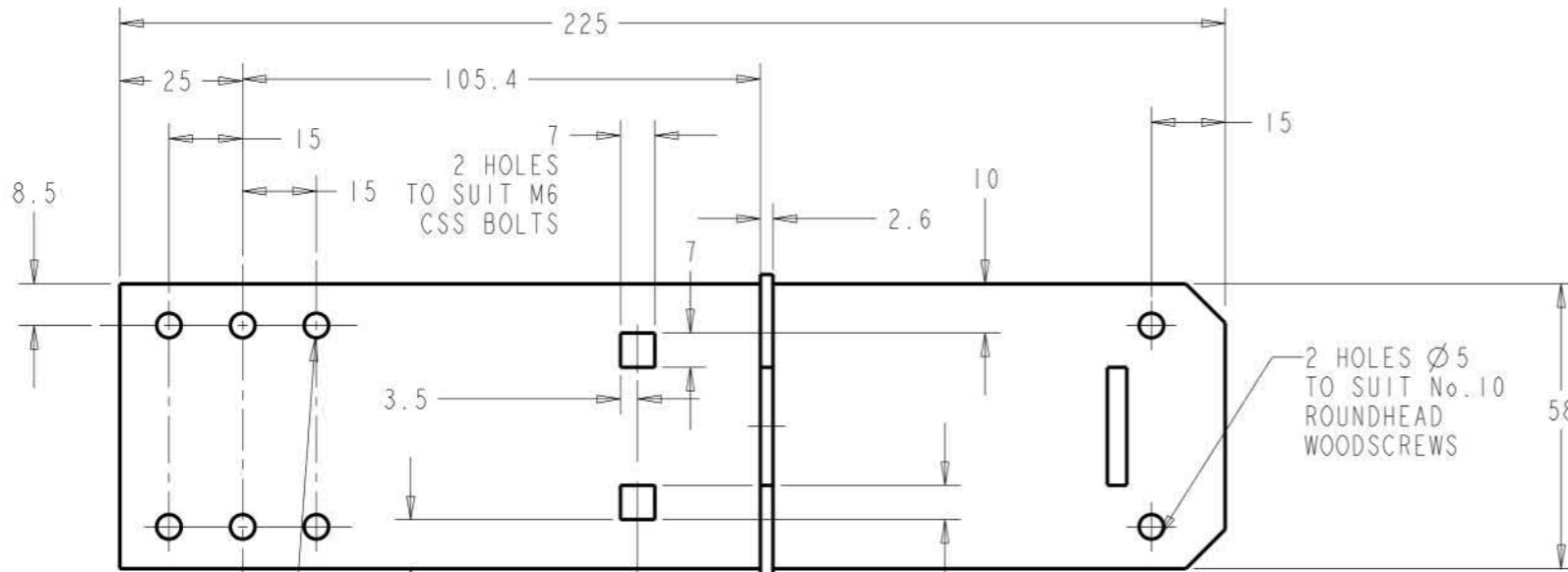
ITEM 2
BOLT
MATERIAL : MILD STEEL
TREATMENT : ZINC PLATED, GALVANISED BLACK
SCALE 1:1



ITEM 4
RIVET
MATERIAL: MILD STEEL
TREATMENT ; ZINC PLATE,
GALVANSED BLACK
SCALE 2.000



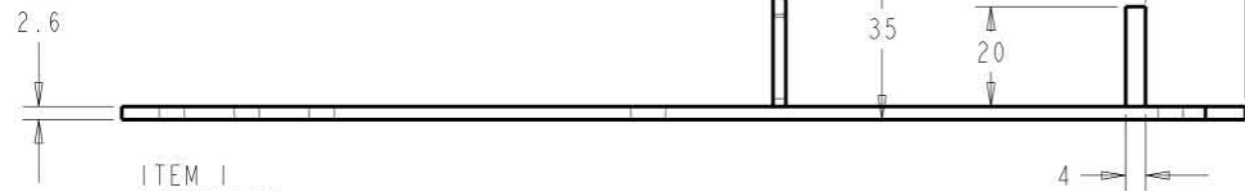
ITEM 3
U-BRACKET
MATERIAL : MILD STEEL
TREATMENT : ZINC PLATE, GALVANISED BLACK
SCALE 1:1



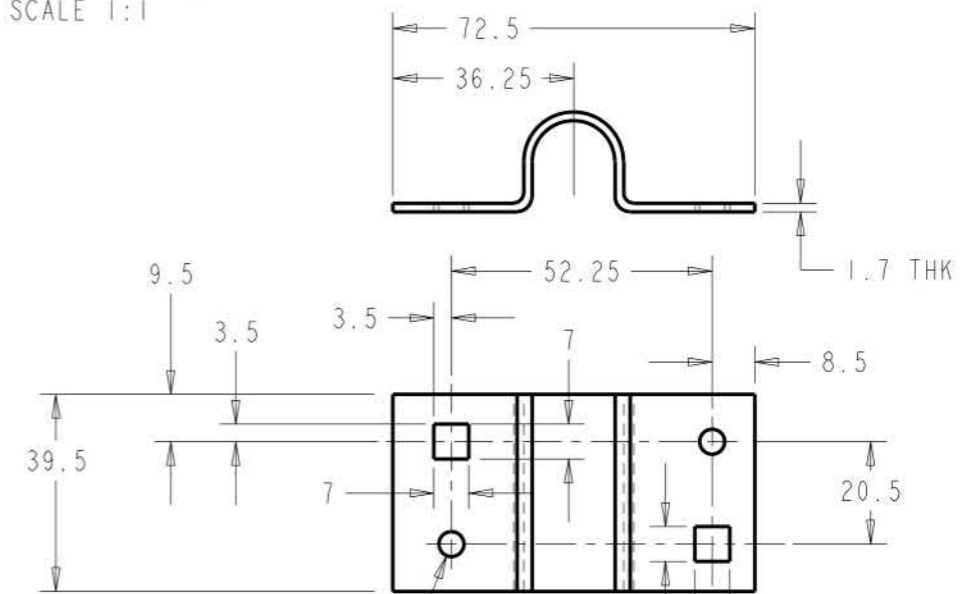
6 HOLES Ø5
TO SUIT No. 10
ROUNDHEAD
WOODSCREWS

2 HOLES
TO SUIT M6
CSS BOLTS

2 HOLES Ø5
TO SUIT No. 10
ROUNDHEAD
WOODSCREWS



ITEM 1
BASEPLATE
MATERIAL : MILD STEEL
TREATMENT : ZINC PLATE, GALVANISED BLACK
SCALE 1:1



2 HOLES Ø5
TO SUIT No. 10
ROUNDHEAD
WOODSCREWS

ITEM 5
U-BRACKET
MATERIAL : MILD STEEL
TREATMENT : ZINC PLATE,
GALVANISED BLACK
SCALE 1:1

