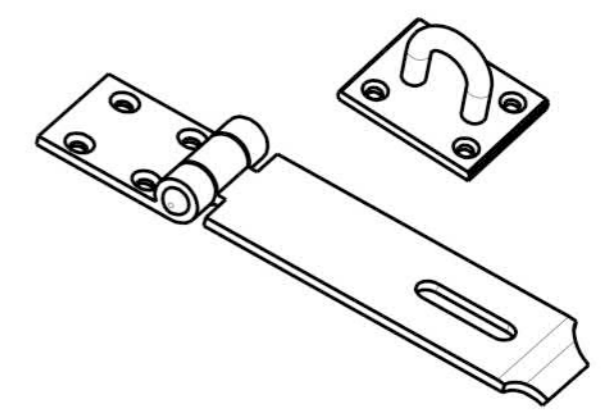
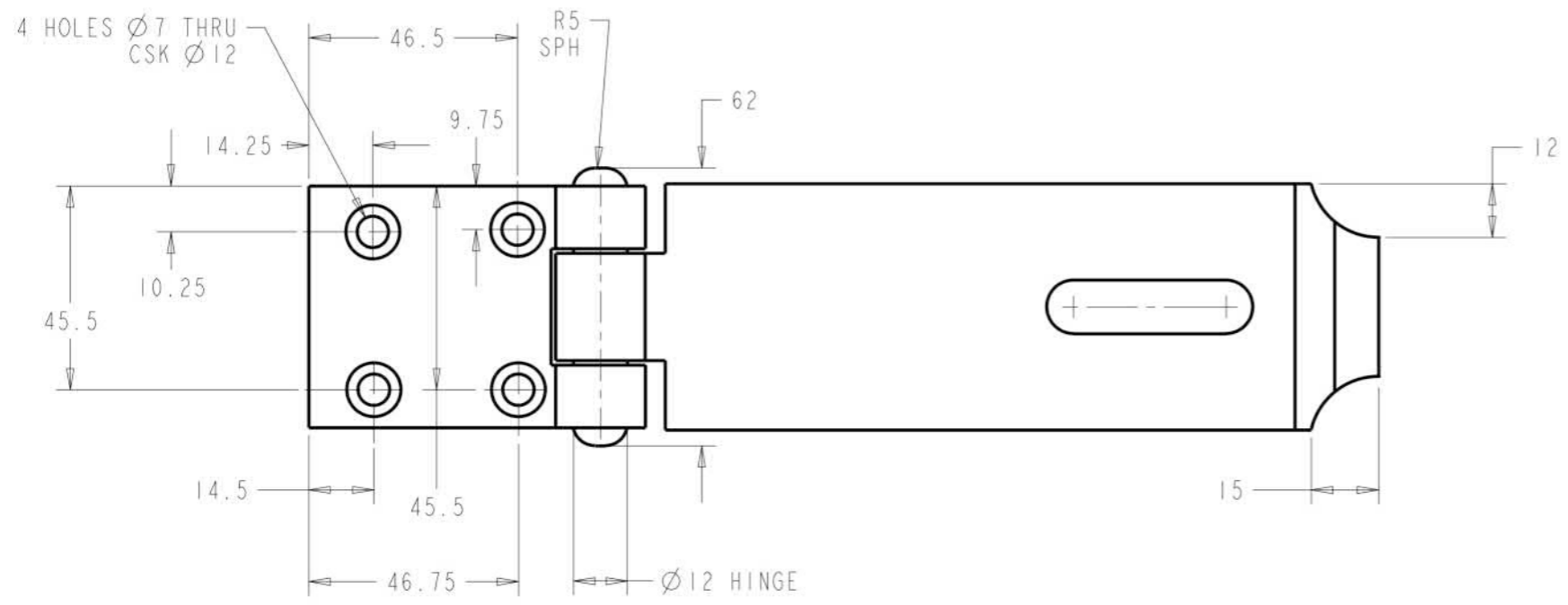
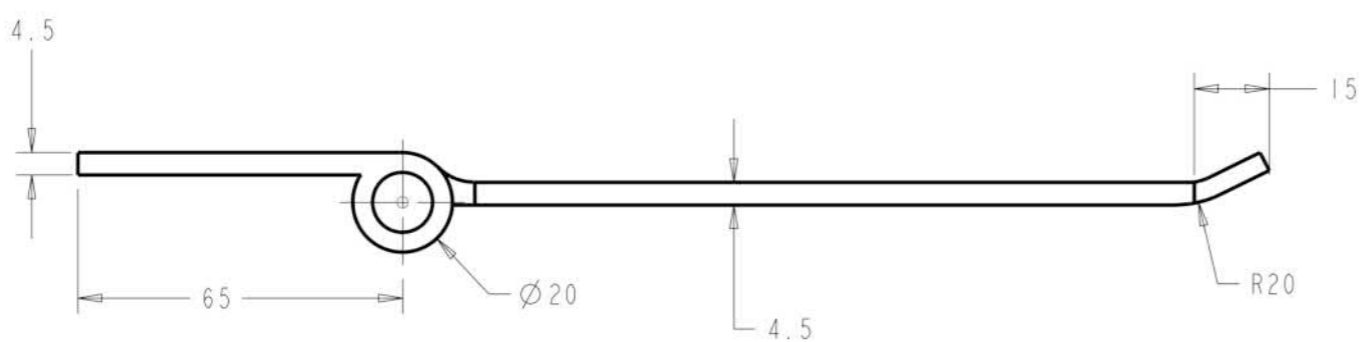
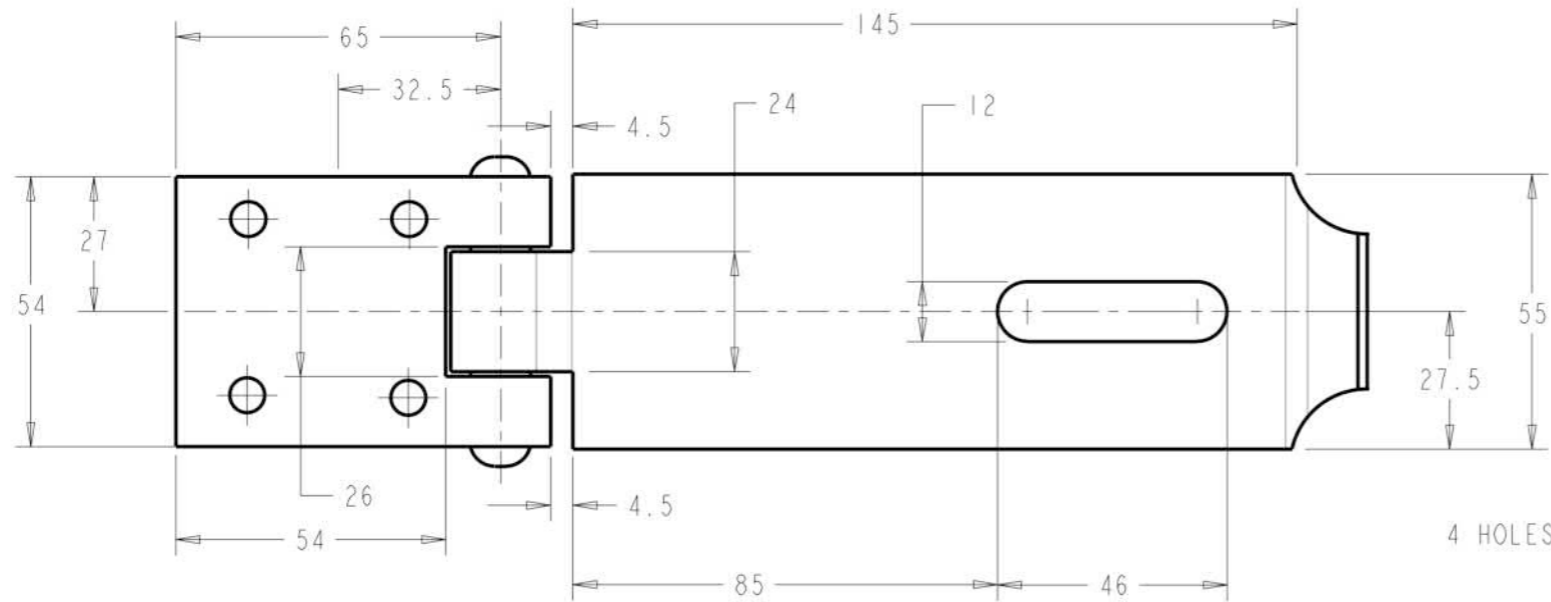
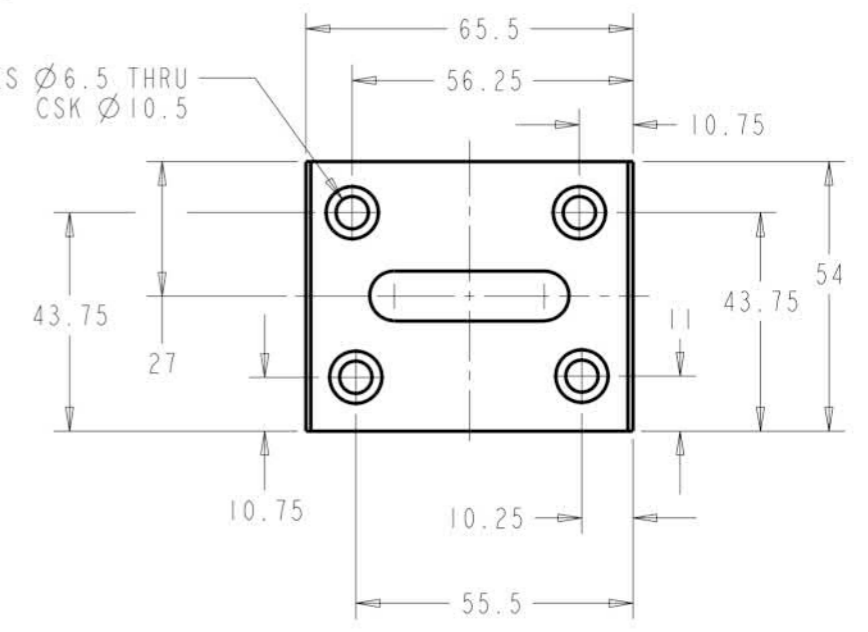


NOTES

1. MATERIAL - MILD STEEL
2. TREATMENT ZINC PLATE, BLACK GALVANISED
3. HOLED FOR No. 10 CSK WOODSCREW FIXED PIN



GENERAL VIEW
SCALE 0.500



4 HOLES Ø6.5 THRU
CSK Ø10.5

